



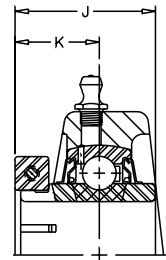
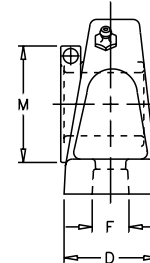
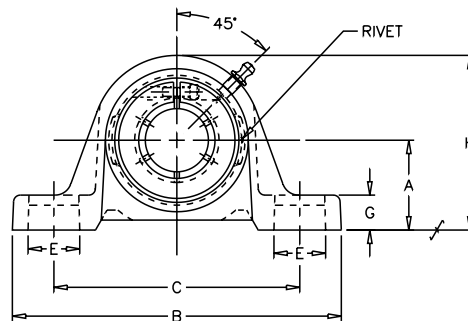
# VPB-200

**Lock:** BOA Concentric  
**Seal:** Contact  
**Housing:** Cast Iron  
**Temperature:** -20°F to 200°F  
**Self Alignment:** ±1.5°  
**Insert:** VB-200  
 Dimensions pg 58  
 Ratings pg 59

**V VALUE & QUALITY**  
**P PILLOW BLOCK**  
**B BOA**

**2 200**  
**0 NORMAL**  
**0 DUTY**

Bore Size	Fitting
3/4" - 1 1/4" S	1/4" - 28NF
1 1/4" - 2 7/16"	1/8" NPT



SHAFT DIA. IN.	UNIT NO.	BRG. NO.	Dimensions in Inches												BOLT SIZE IN	UNIT WT.
			A	B	C		D	E	F	G	H	J	K	M		
					MIN.	MAX.										
⊗ 3/4	VPB-212	VB-212	1 5/16	5	3 3/8	4 3/16	1 11/32	25/32	7/16	17/32	2 17/32	1 9/32	25/32	1 3/4		1.60
7/8	VPB-214	VB-214														
15/16	VPB-215	VB-215	1 7/16	5 1/2	3 11/16	4 9/16	1 13/32	13/16	7/16	19/32	2 13/16	1 7/16	7/8	1 15/16		1.90
⊗ 1	VPB-216	VB-216														
1 1/8	VPB-218	VB-218														
⊗ 1 3/16	VPB-219	VB-219	1 11/16	6 3/16	4 3/16	5 1/16	1 3/4	15/16	9/16	21/32	3 9/32	1 9/16	15/16	2 3/16		2.90
1 1/4	VPB-220S	VB-220S														
1 1/4	VPB-220	VB-220												2 7/16		
1 3/8	VPB-222	VB-222	1 7/8	6 3/4	4 5/8	5 3/8	1 3/4	7/8	9/16	23/32	3 11/16	1 3/4	1 1/16	2 9/16	1/2	3.80
⊗ 1 7/16	VPB-223	VB-223														
1 1/2	VPB-224	VB-224	2	7 1/8	4 7/8	5 7/8	1 15/16	1	9/16	13/16	4	2	1 1/4	2 11/16	1/2	4.90
1 5/8	VPB-226	VB-226												2 13/16		
⊗ 1 11/16	VPB-227	VB-227	2 1/8	7 3/8	5 1/4	6 1/16	2	29/32	9/16	3/4	4 1/4	2	1 1/4	2 15/16		5.60
1 3/4	VPB-228	VB-228														
⊗ 1 15/16	VPB-231	VB-231	2 1/4	8	5 7/8	6 1/2	2 3/16	15/16	11/16	3/4	4 9/16	2 3/32	1 11/32	3 3/8	5/8	6.20
2	VPB-232	VB-232														
⊗ 2 3/16	VPB-235	VB-235	2 1/2	8 13/16	6 7/16	7 7/16	2 5/16	1	11/16	7/8	4 31/32	2 1/4	1 3/8	3 1/2 3 5/8	5/8	8.00
2 1/4	VPB-236	VB-236												4 1/16		
⊗ 2 7/16	VPB-239	VB-239	2 3/4	9 1/2	6 7/8	7 15/16	2 3/8	1 5/32	11/16	7/8	5 9/16	2 5/8	1 5/8	4 1/8	5/8	10.10

⊗ Air Handling (AH) To order specify AH suffix, i.e. VPS-316 AH (see page 48)

REV 1

## CROSS REFERENCE TO COMPETITORS PRODUCTS

REPLACES DODGE P2B-DL	REPLACES MB KC-45/25		
AH REPLACES DODGE P2B-DLAH			

Refer to Interchange Section Page 162 for more detail.